



FIRELANDS HARDWARE, INC.  
18 FORT MONROE PARKWAY  
MONROEVILLE, OH 44847  
PHONE: 888-321-7550  
FAX: 419-465-3332  
WWW.FIRELANDSHARDWAREINC.COM

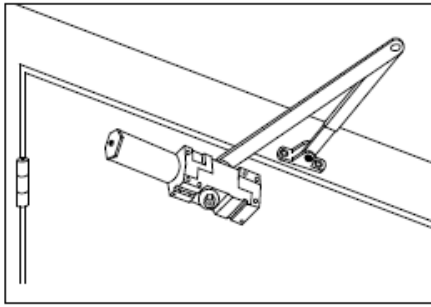
**DC41 SERIES**

## **HEAVY DUTY COMMERCIAL GRADE 1 DOOR CLOSER**

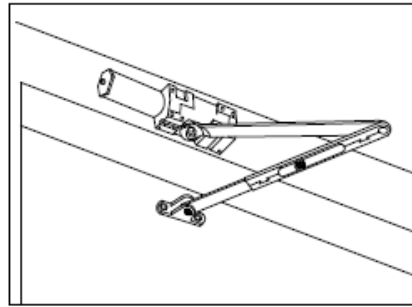


### STANDARD FEATURES

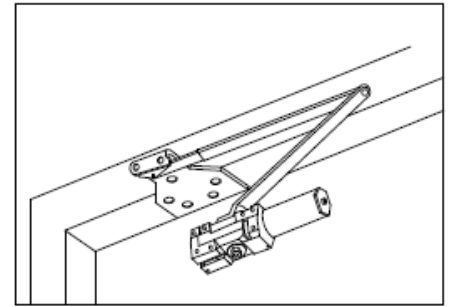
- **Certification :**
  - ANSI/BHMA A 156.4 Grade 1
  - UL/CUL Listed
  - UL 10C for 3 hours fire rating
  - Meet ADA 5 lbs opening force
- **Materials of Closer body:** Cast Iron
- **Materials of Closer arm:** Forged steel for high traffic abuse
- **Handing:** Non handed
- **Adjustment:**
  - Spring power size adjustable 1 to 6
  - Adjustable Backcheck
  - Adjustable sweep speed
  - Adjustable latching speed
- **Rack and Pinion:** Double Heat treated
- **Bearings:** Full needle bearing for high efficiency
- **Build:** Anti-Freeze and fire -proof
- **Cover:** Full plastic cover
- **Screws:** Standard packing, Sex Nuts included
- **Finish:** Aluminum, Duro (Other upon the request)
- **Installation type:** Tri-packed ( regular arm, top jamb and Parallel arm mounting)
- **Warranty:** 5 years
- **Cross reference:** LCN 4040 (Allegion)



Regular arm -Pull Side

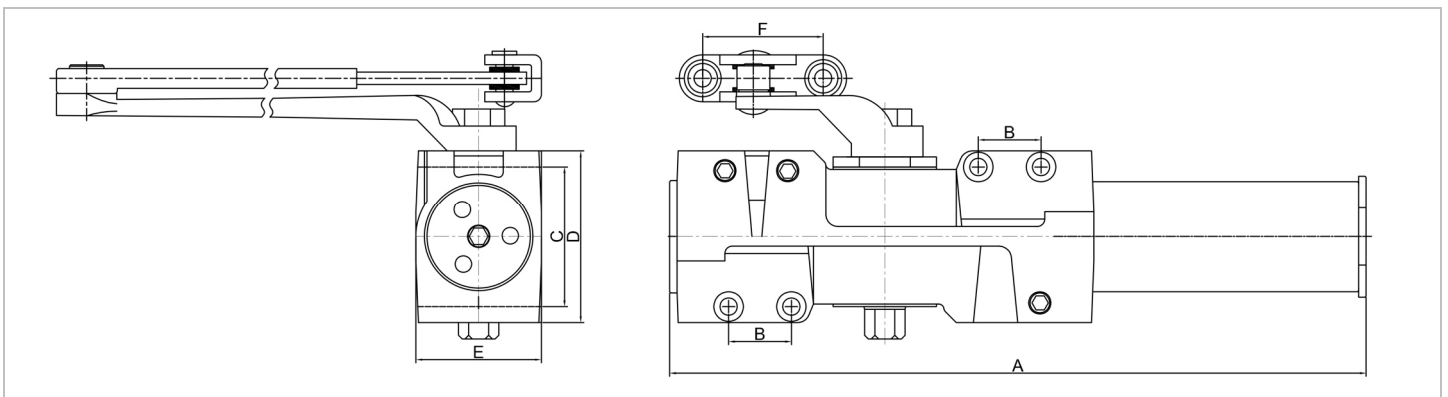


Top Jamb -Push Side



Parallel arm -Push Side

## TECHNICAL DIMENSIONS.



Description:	Dimensions
A. Length of Closer Body	11 " (280 mm)
B. Horizontal Mounting Holes	1 " (25.4 mm)
C. Vertical Mounting Holes	2/1/4 " (57 mm)
D. Closer Body Height	2-3/4" (70 mm)
E. Projection from Door	2" (51 mm)
F: Arm Shoe Spacing	1-15/16"(49.2 mm)

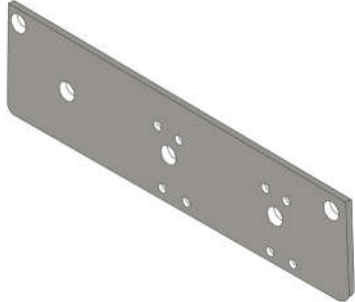
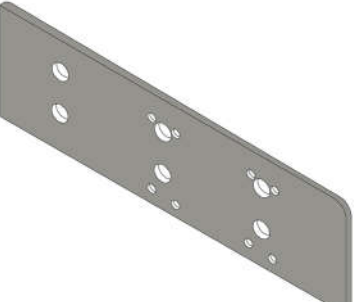
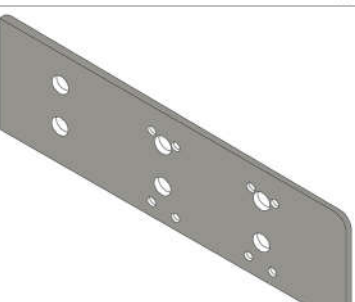
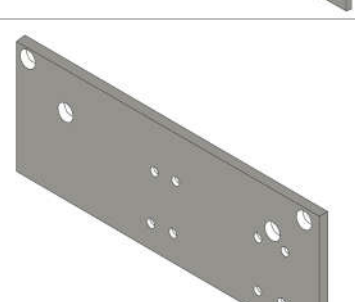
## HOW TO ORDER






Model	Size	Remarks
F8400	Adjustable 1 to 6	Tri-packed, with backcheck
F8400DA	Adjustable 1 to 6	Tri-packed, with backcheck & <b>delayed action</b>

**Available finish:** ( ) Aluminum ( ) Duro Others upon the request

Regular & Top Jamb				Parallel Arm			Applicable Door Weight Lbs (Kg)
Closer Size	Maximum Size of Door			Closer Size	Interior	Exterior Outswinging	
	Interior	Exterior Inswing	Exterior outswinging				
1	28" (0.71m)			1			33-66 (15-30)
2	36" (0.91 m)			2	30"(0.76m)		66-99 (30-45)
3	42"(1.07 m)	30" (0.76m)	36"(0.91m)	3	36" (0.91m)	30"(0.76m)	99-143(45-65)
4	48"(1.22 m)	36"(0.91m)	42" (1.07m)	4	42"(1.07m)	36"(0.91m)	143-187(65-85)
5	54" (1.37 m)	42"(1.07m)	48" (1.22m)	5	48"(1.22m)	42"(1.07m)	187-264(85-120)
6	60"(1.52 m)	48"(1.22m)	54" (1.37m)	6	54"(1.37m)	48"(1.22m)	264-330(120-150 )

## OPTIONAL ACCESSORIES

Description	Picture	
<p><b>Drop plate-Regular arm Mount</b>            Required for hinge side mount when top rail is less than 3 3/4"            Plate require 2" minimum top rail</p>		<p>Available Finish: AL /DU,others upon the request</p>
<p><b>Drop plate-Low Clearance</b>            For use when ceiling clearance prevents normal top jamb mounting            For use when overhead door holder prevents normal top jamb mounting</p>		<p>Available Finish: AL /DU,others upon the request</p>
<p><b>Drop late-top jamb mount</b>            Required for top jamb when frame face is less than 3 1/2" (89mm)            Plate require 1 3/4" minimum frame face            For use with plastic cover</p>		<p>Available Finish: AL /DU,others upon the request</p>
<p><b>Drop plate-Parallel arm mount</b>            Required for parallel arm when top rail is less than 5 1/2", measured from the stop            Plate require 2" minimum top rail</p>		<p>Available Finish: AL /DU,others upon the request</p>

<p><b>Heavy duty parallel arm</b></p>		<p>Available Finish: AL /DU,others upon the request</p>
<p><b>Heavy duty parallel arm with Dead stop</b></p>		<p>Available Finish: AL /DU,others upon the request</p>
<p><b>Heavy duty parallel arm with Spring Cush Dead stop</b></p>		<p>Available Finish: AL /DU,others upon the request</p>
<p><b>Heavy duty hold open parallel arm with Dead stop</b></p>		<p>Available Finish: AL /DU,others upon the request</p>
<p><b>Heavy duty hold open parallel arm with spring cush Dead stop</b></p>		<p>Available Finish: AL /DU,others upon the request</p>